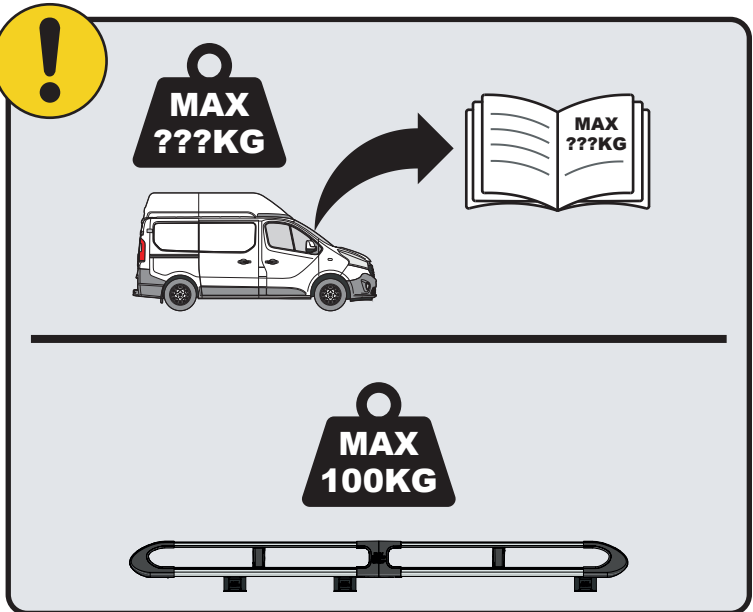
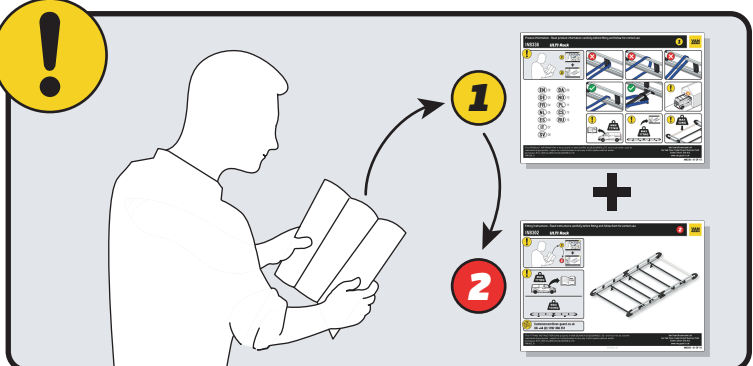




IN8345

ULTI Rack+



 Customercare@van-guard.co.uk
UK +44 (0) 1392 368 351



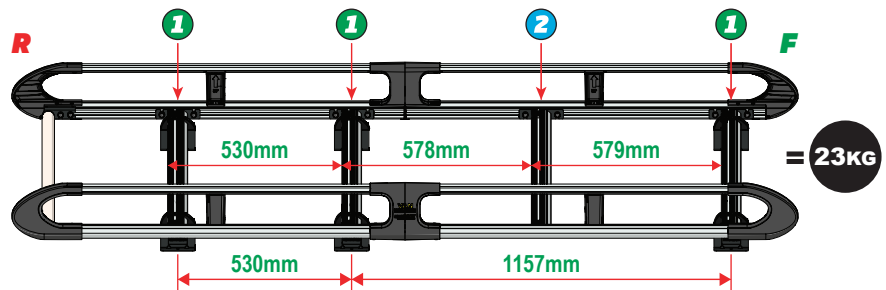
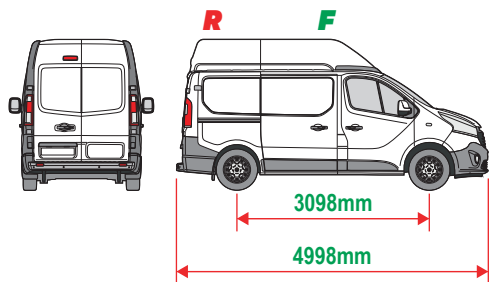
This FITTING INSTRUCTION is the property of VAN GUARD ACCESSORIES LTD. and must not be used for manufacturing purposes, copied nor communicated in any way to third parties without written permission from VAN GUARD ACCESSORIES LTD.
IN8345_B (CN:00356)

Van Guard Accessories Ltd
Fair Oak Close, Exeter Airport Business Park,
Exeter, Devon, EX5 2UL
www.van-guard.co.uk

THIS INSTRUCTION COVERS THE FOLLOWING MODELS - CHECK YOU ARE FITTING THE CORRECT MODEL BEFORE PROCEEDING

VGUR-266

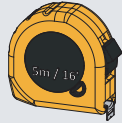
Fiat Talento: 2016-2020
Nissan NV300: 2016-2021
Nissan Primastar: 2022 on
Renault Trafic: 2014 on
Vauxhall Vivaro: 2014-2019
L1H2 (SWB)
Twin Rear Doors



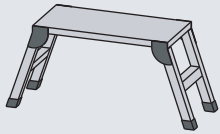
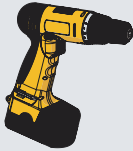
SUPPLIED COMPONENTS - CHECK ALL PARTS ARE PRESENT AND CORRECT BEFORE PROCEEDING (1 OF 2)

TOOLS REQUIRED

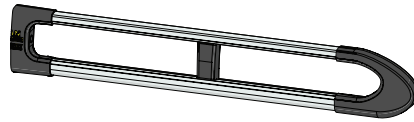
10MM X1



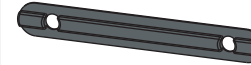
13MM X1



AS3533 X2
(2200 / A)



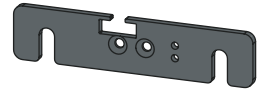
MA6118 X8



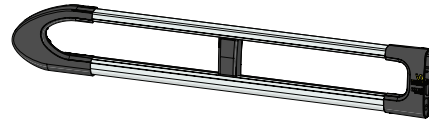
FX4241 X20



ME1622 X1



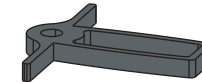
AS3532 X2
(2200 / B)



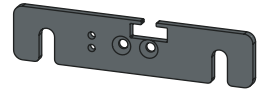
FX4008 X1



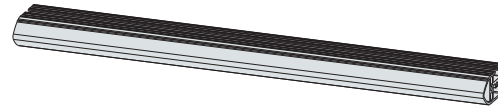
MA6145 X1



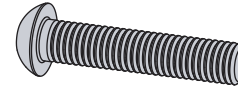
ME1623 X1



ME1627 X4
(1354mm)



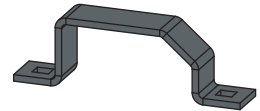
FX4001 X2
(M8X40)



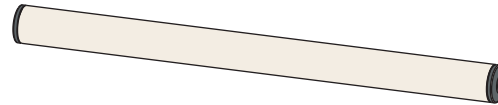
FX4235 X16
(M5X25)



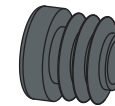
ME0203 X6



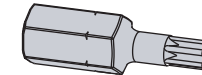
AS3159 X1
(1340mm)



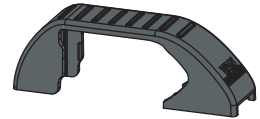
MA6007 X4



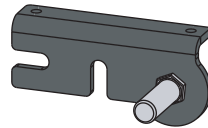
FX4248 X1
(T25)



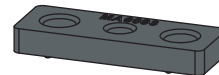
MA6065 X6



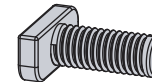
AS3590 X1



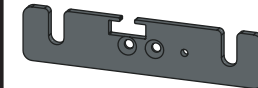
MA6093 X8



FX4239 X20
(M8X20)



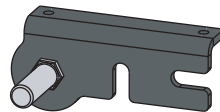
ME1620 X3



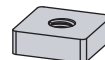
FX4016 X12
(M6)



AS3591 X1



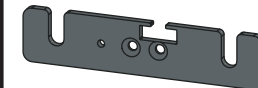
ME0316 X8



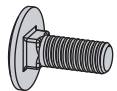
FX4240 X20
(M8)



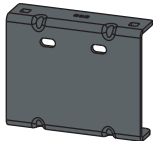
ME1621 X3



FX4042 X12
(M6X16)



ME0692 X6



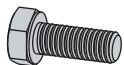
FX4010 X12

(M6)



FX4012 X12

(M6X16)

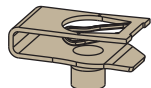


FX4017 X12

(M6)

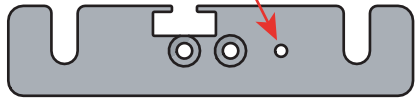


FX4126 X12



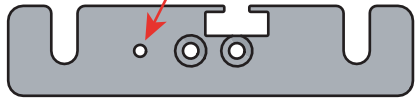
01

1L



X3

1R



X3

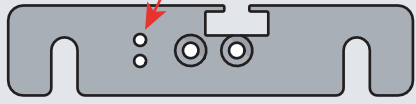


2L



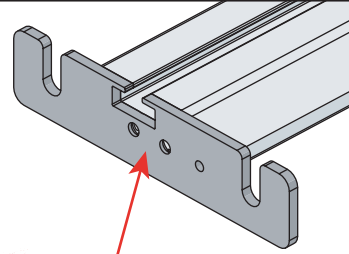
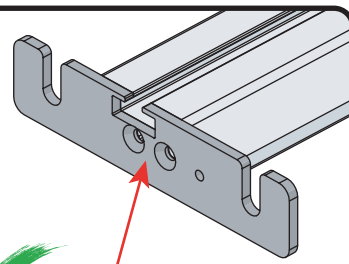
X1

2R



X1

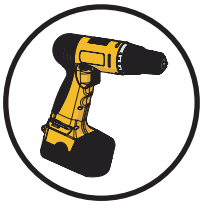
02



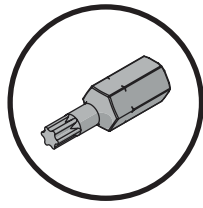
03

01

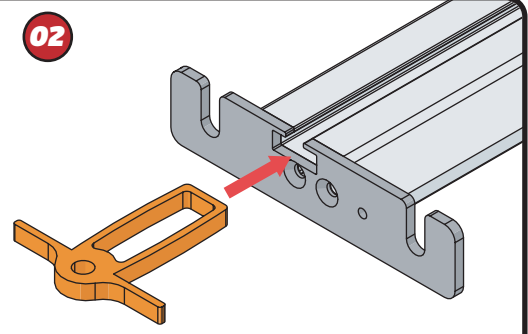
FX4248



+



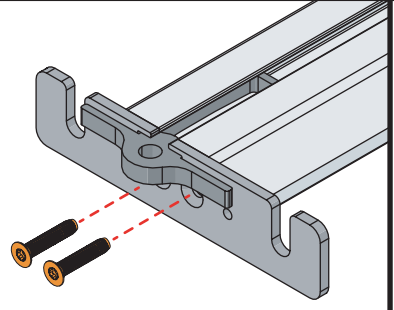
02



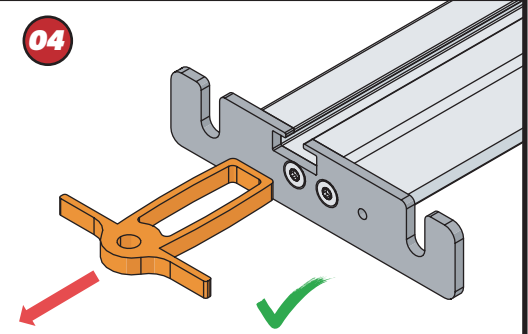
03



11Nm



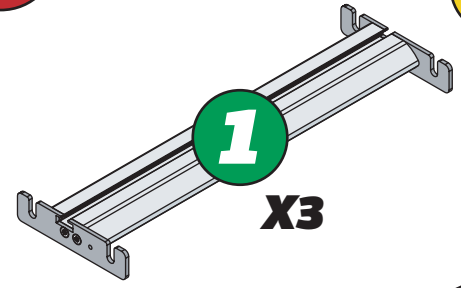
04



04

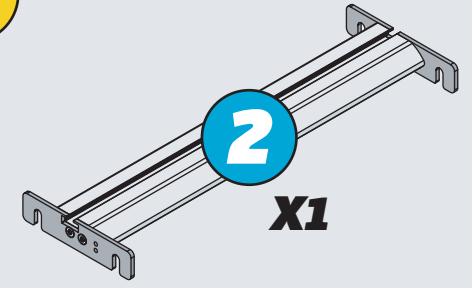


1

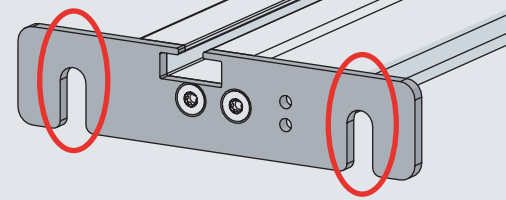
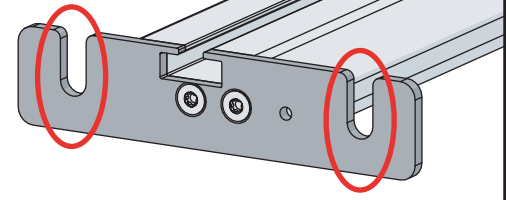


X3

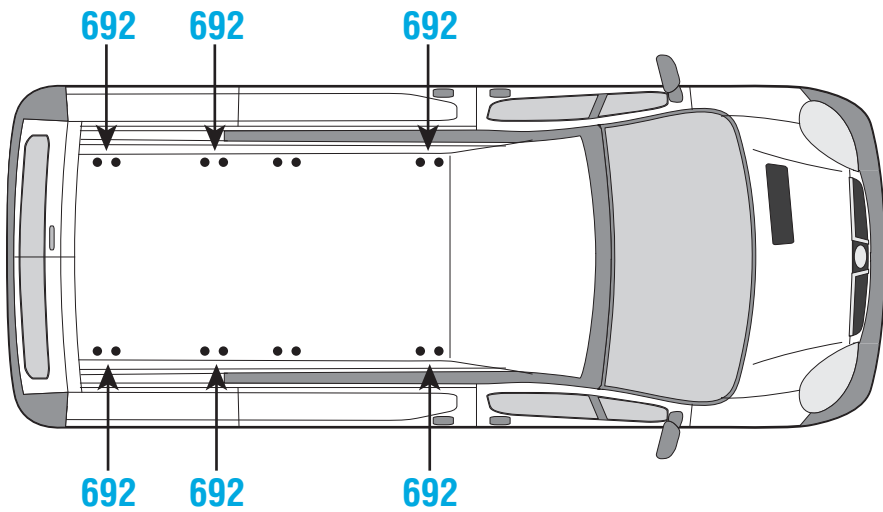
2



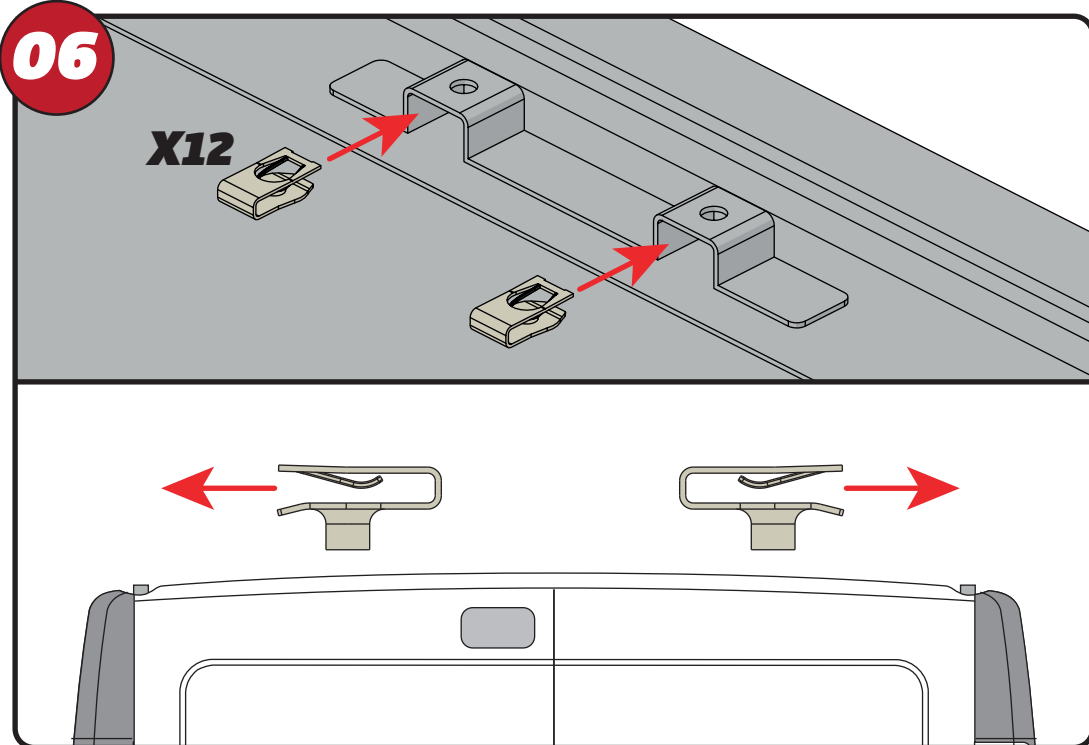
X1



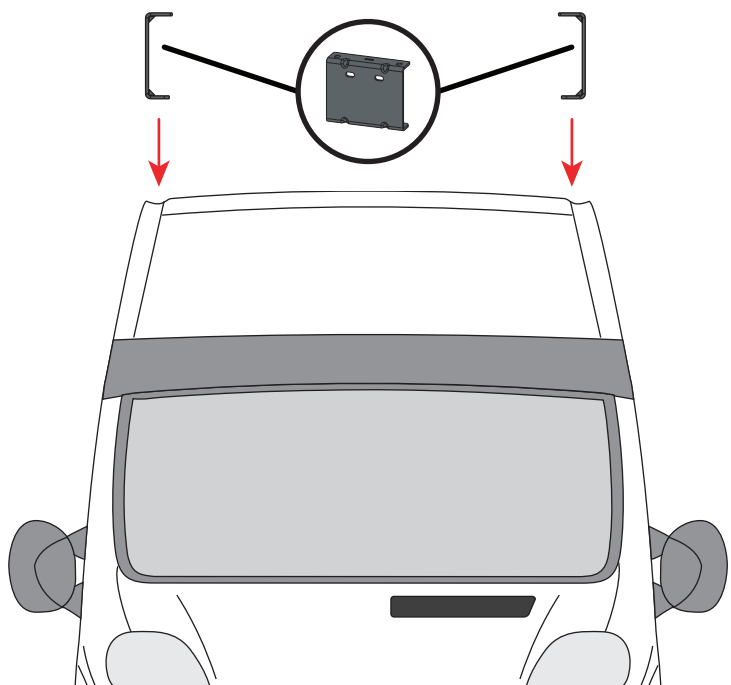
05



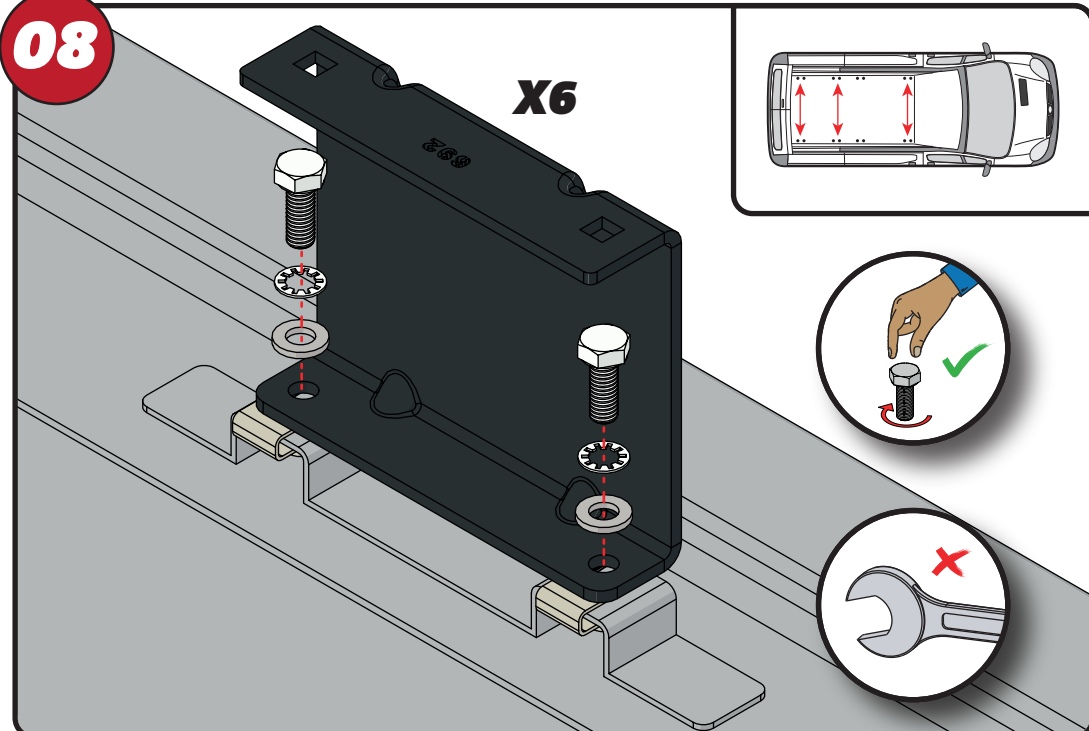
06

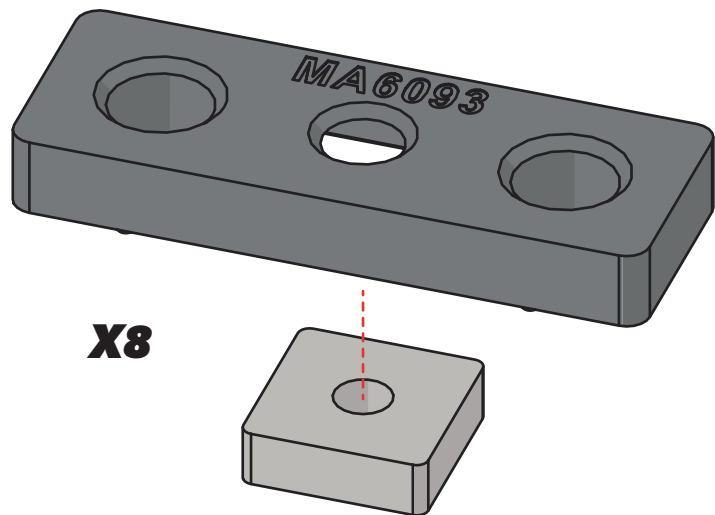
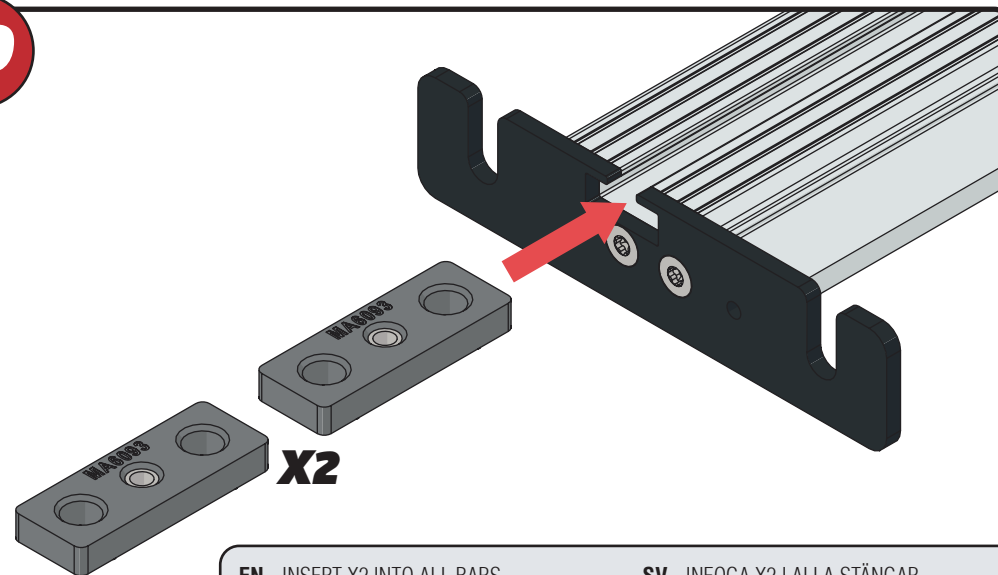


07



08



09**10**

EN - INSERT X2 INTO ALL BARS

DE - X2 IN ALLE STANGEN EINFÜGEN

FR - INSÉRER X2 DANS TOUTES LES BARRES

NL - PLAATS X2 IN ALLE BARS

ES - INSERTAR X2 EN TODAS LAS BARRAS

IT - INSERIRE X2 IN TUTTE LE BARRE

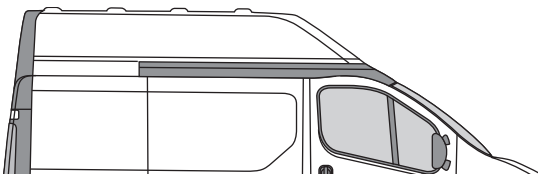
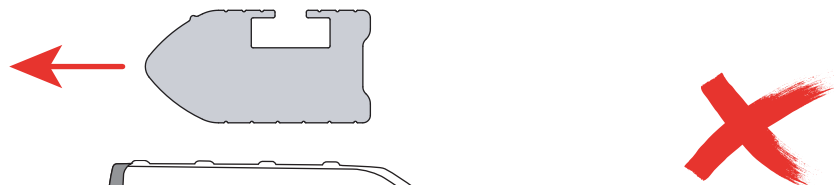
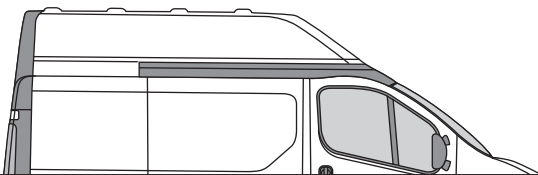
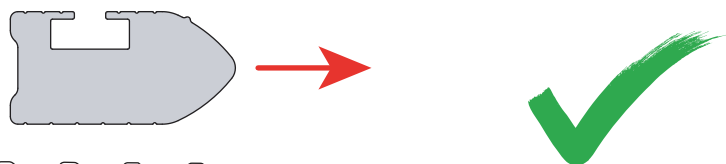
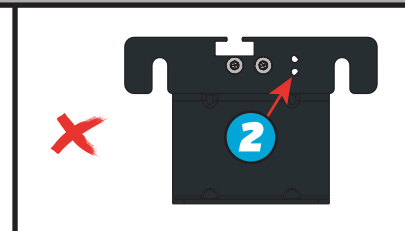
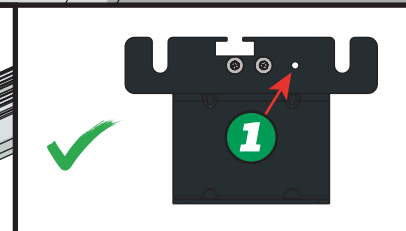
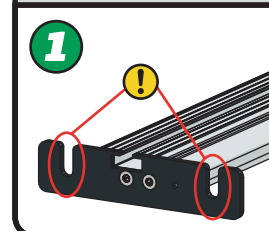
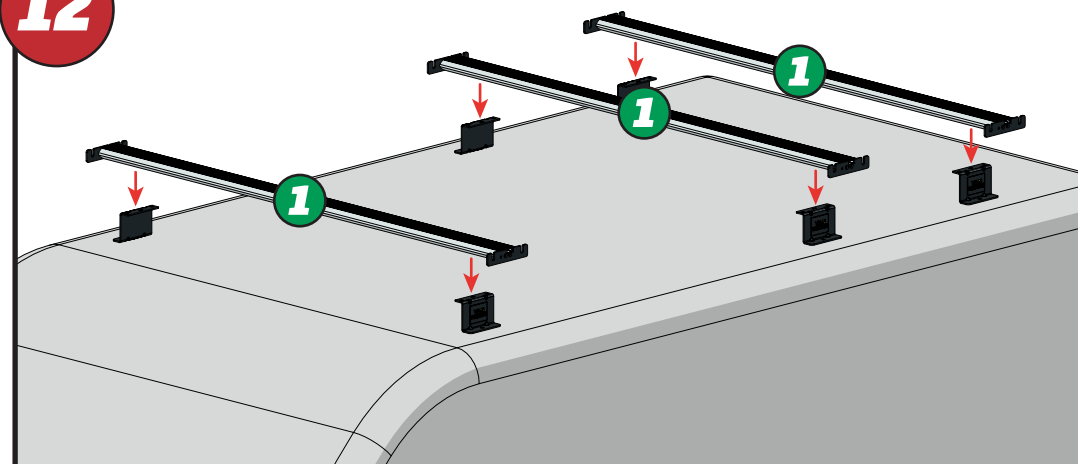
SV - INFOGA X2 I ALLA STÄNGAR

DA - INDSÆT X2 I ALLE STÆNGER

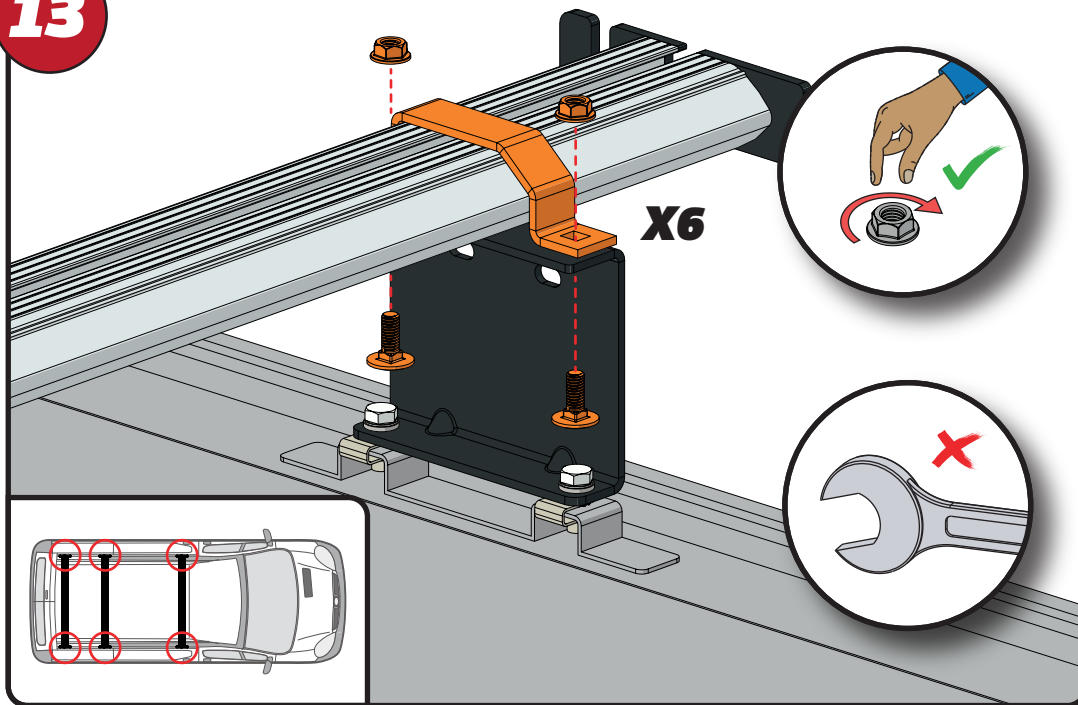
NO - SETT X2 INN I ALLE TAKSTENGER

PL - WSTAW X2 DO WSZYSTKICH PRĘTÓW

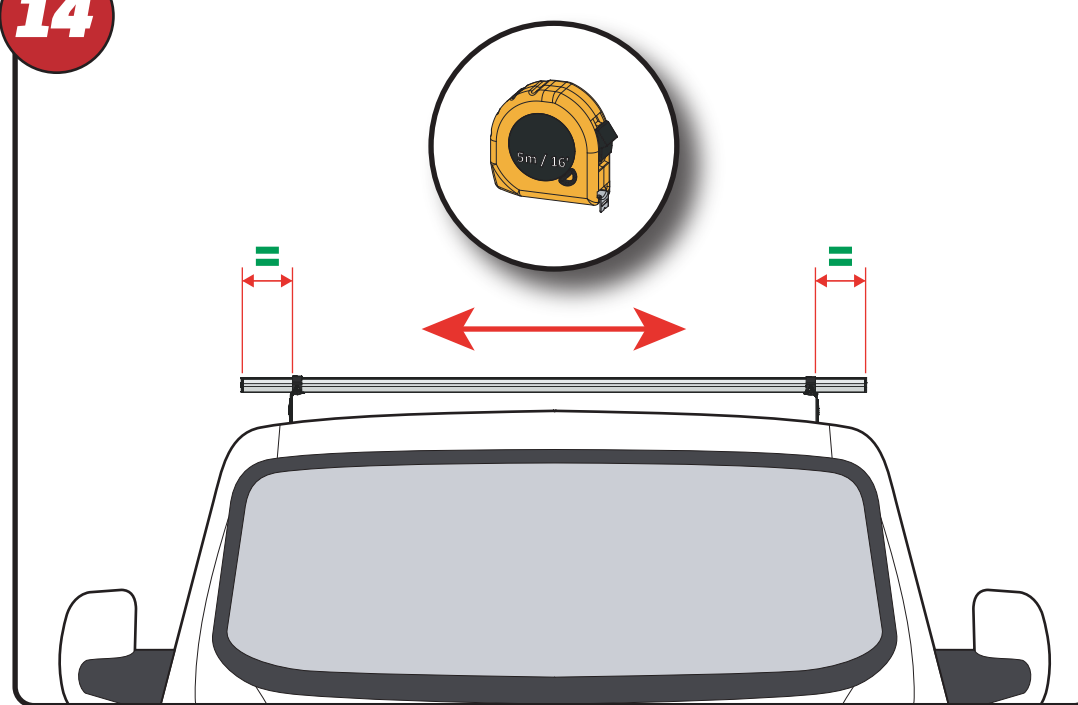
CS - VLOŽTE X2 DO VŠECH TYČÍ

11**12**

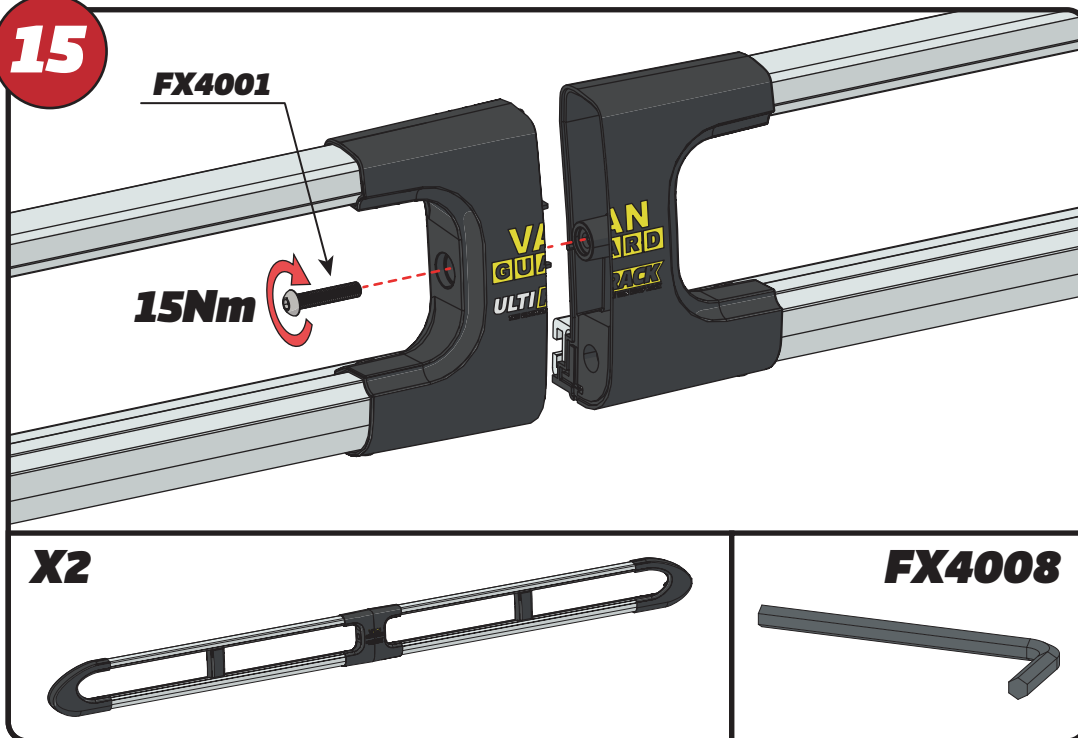
13



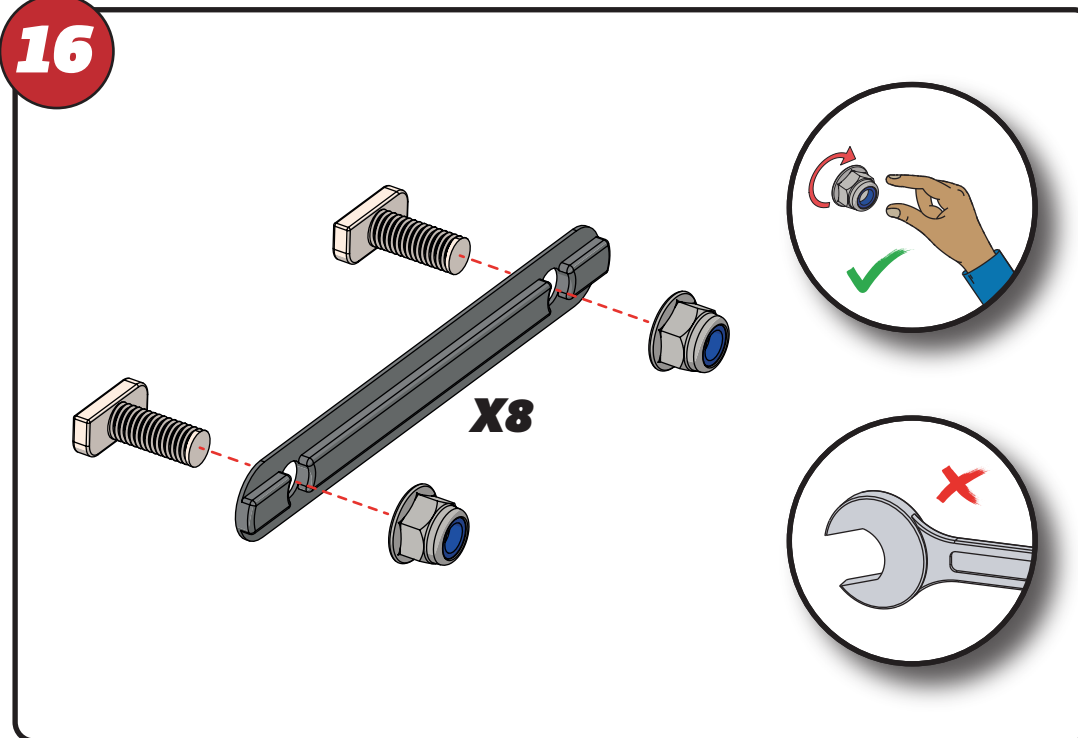
14



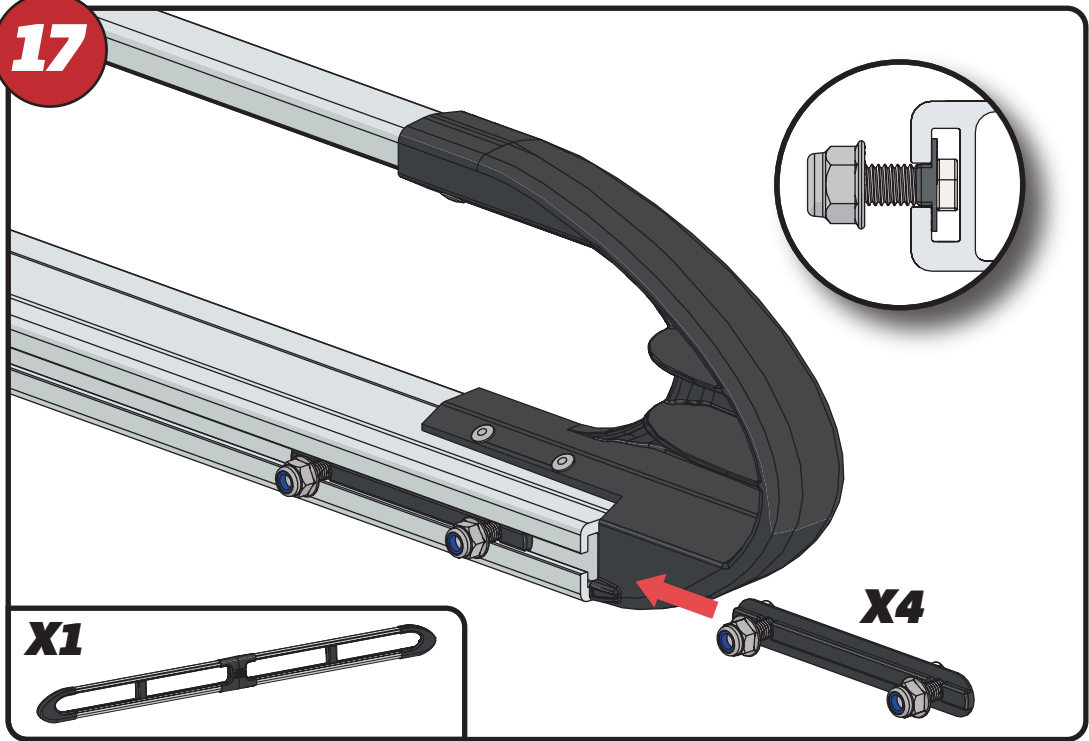
15



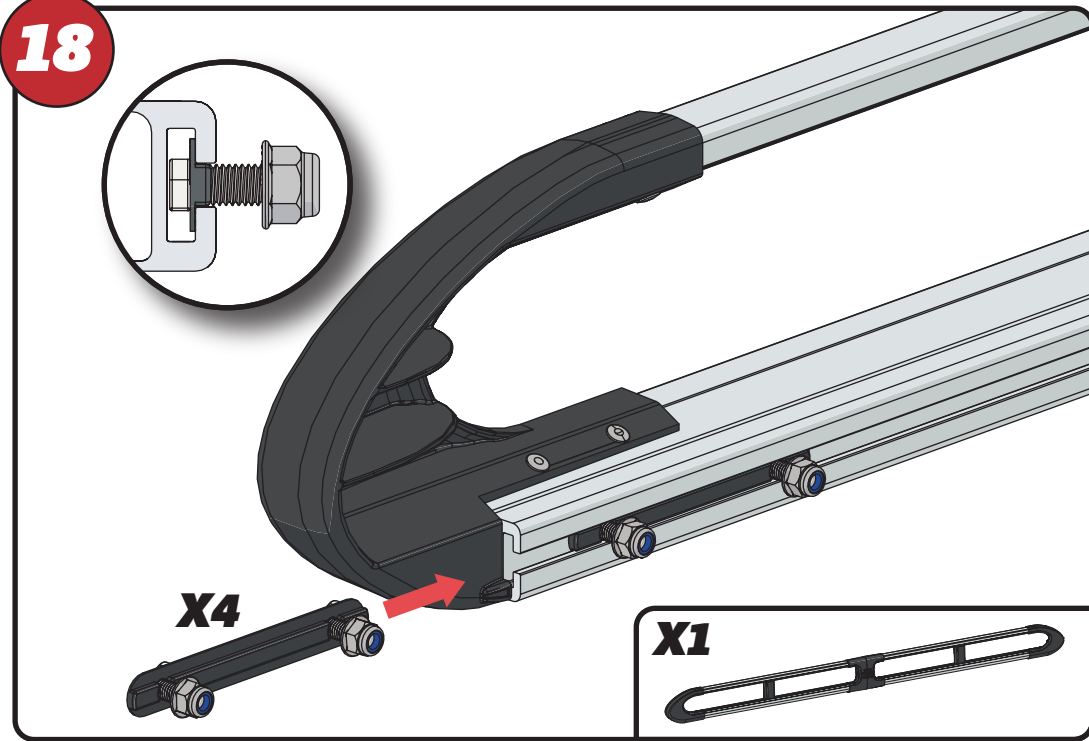
16



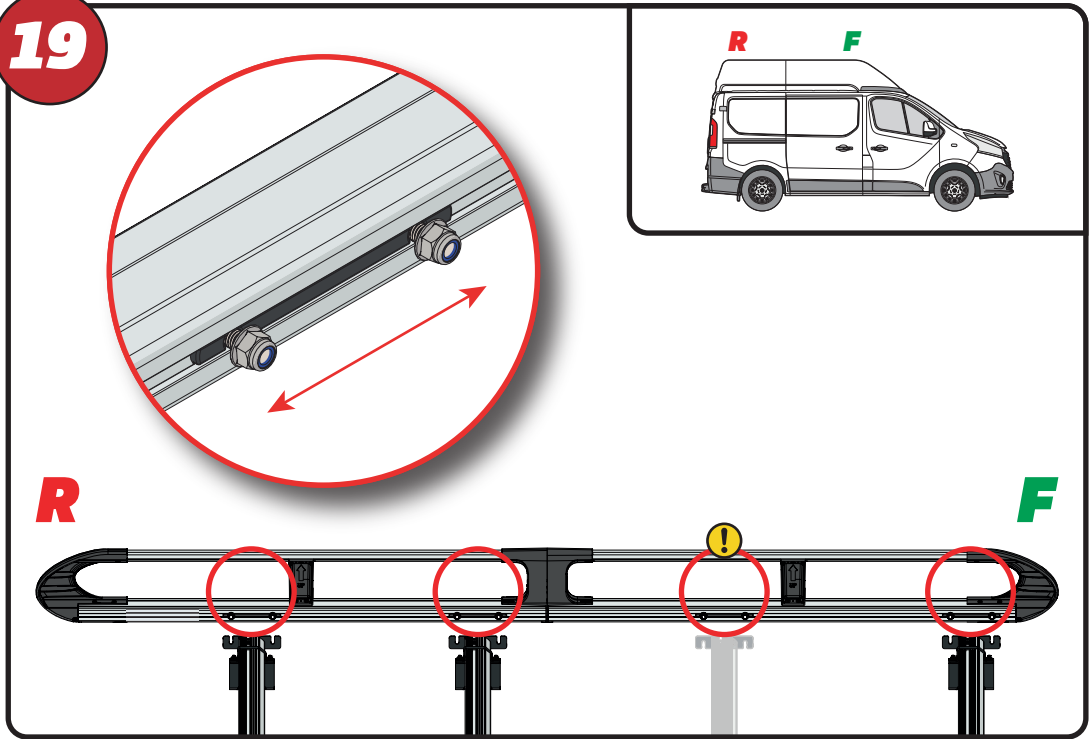
17



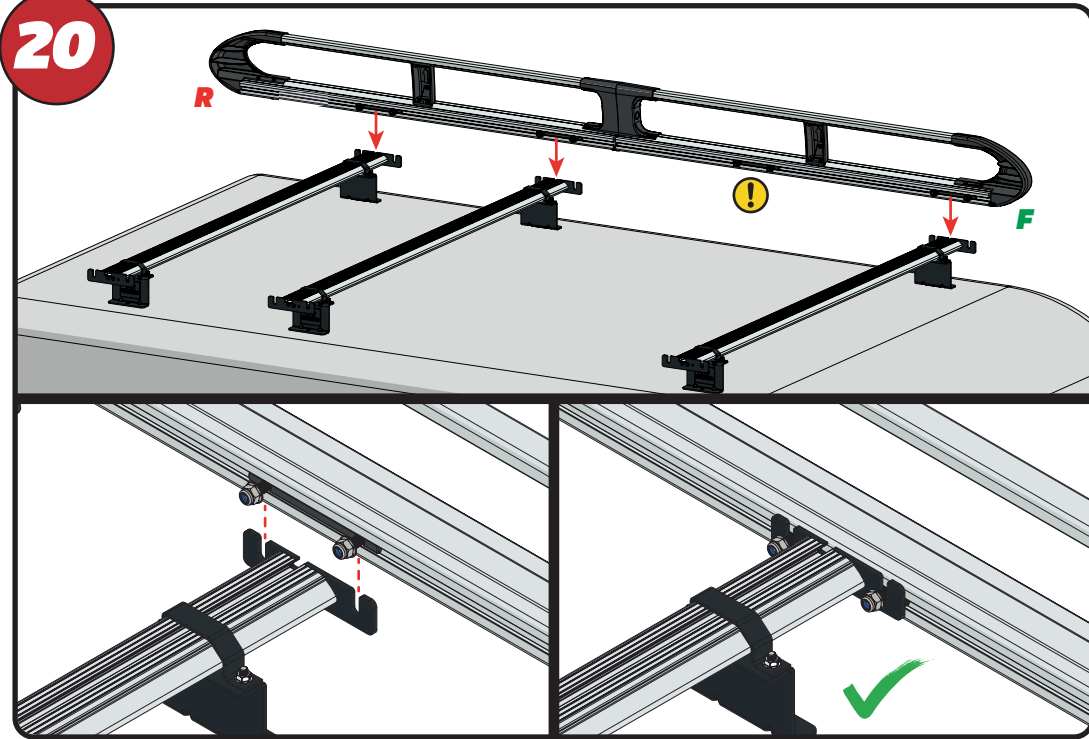
18



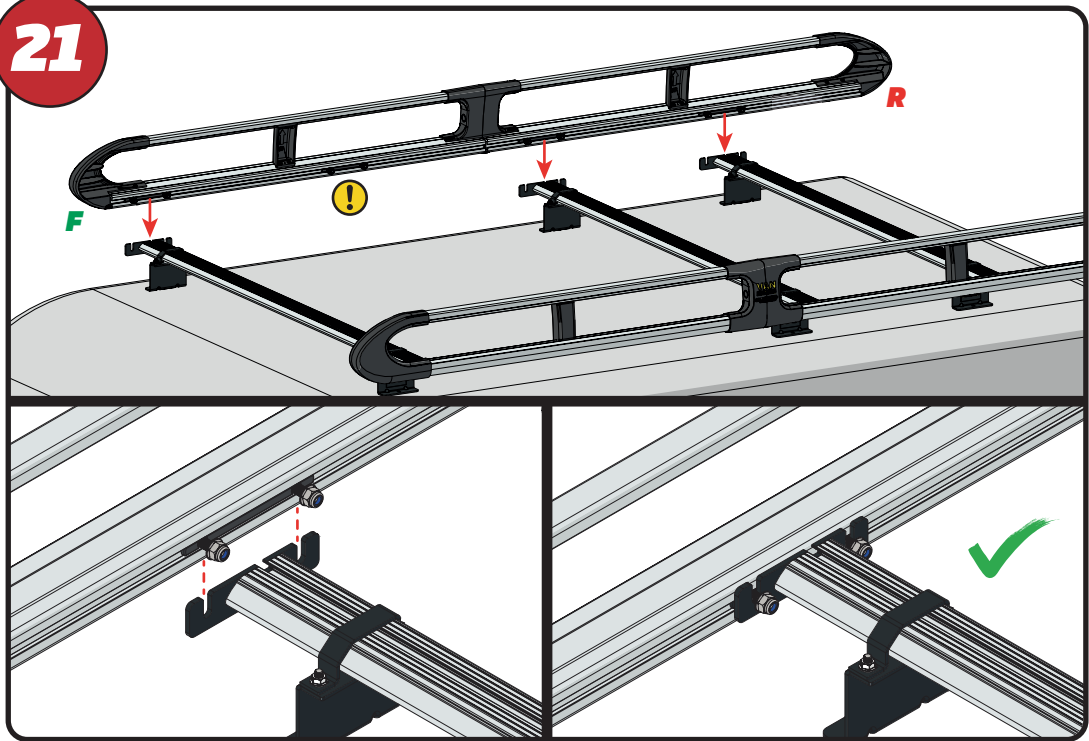
19



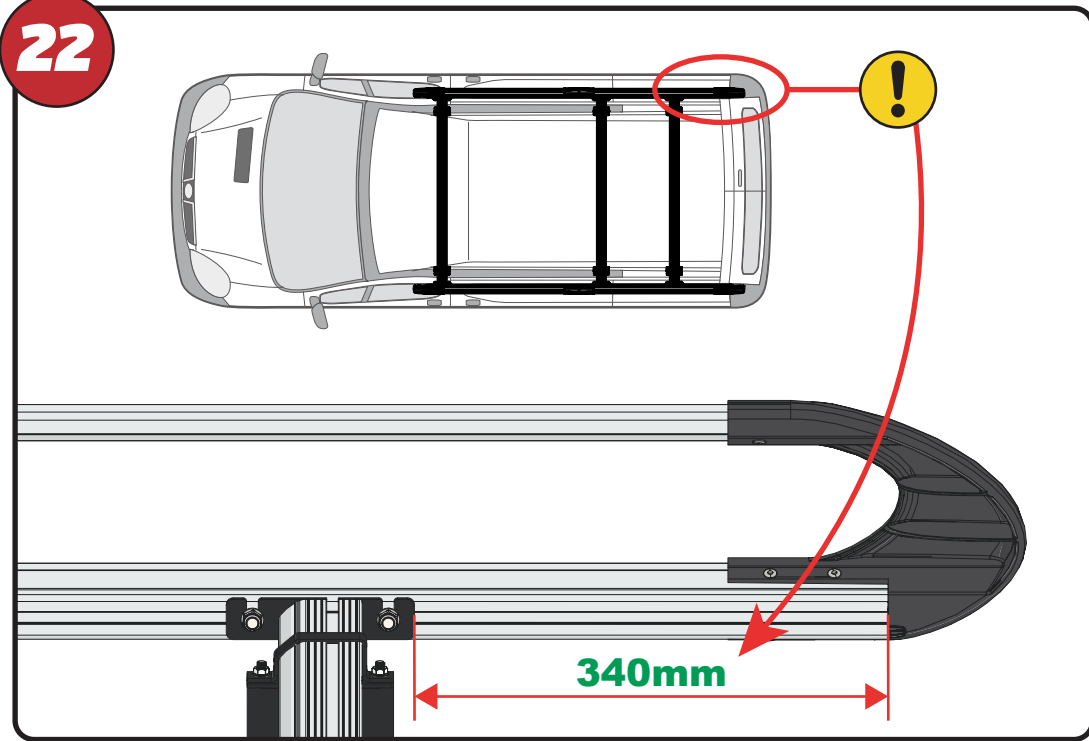
20



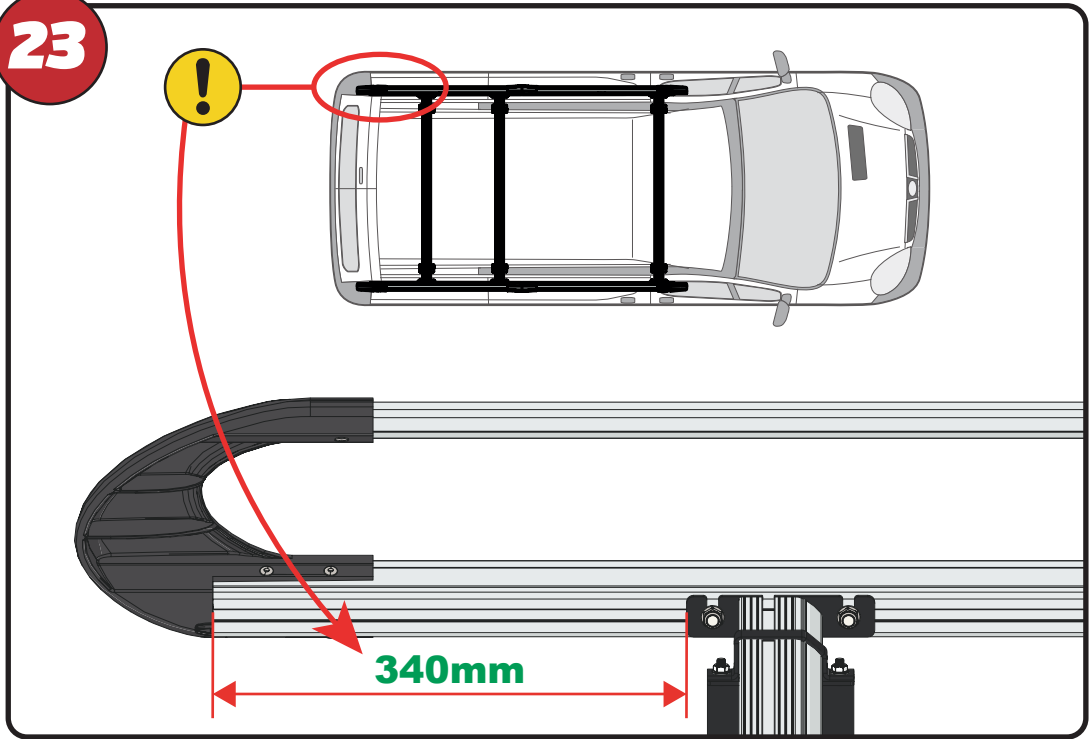
21



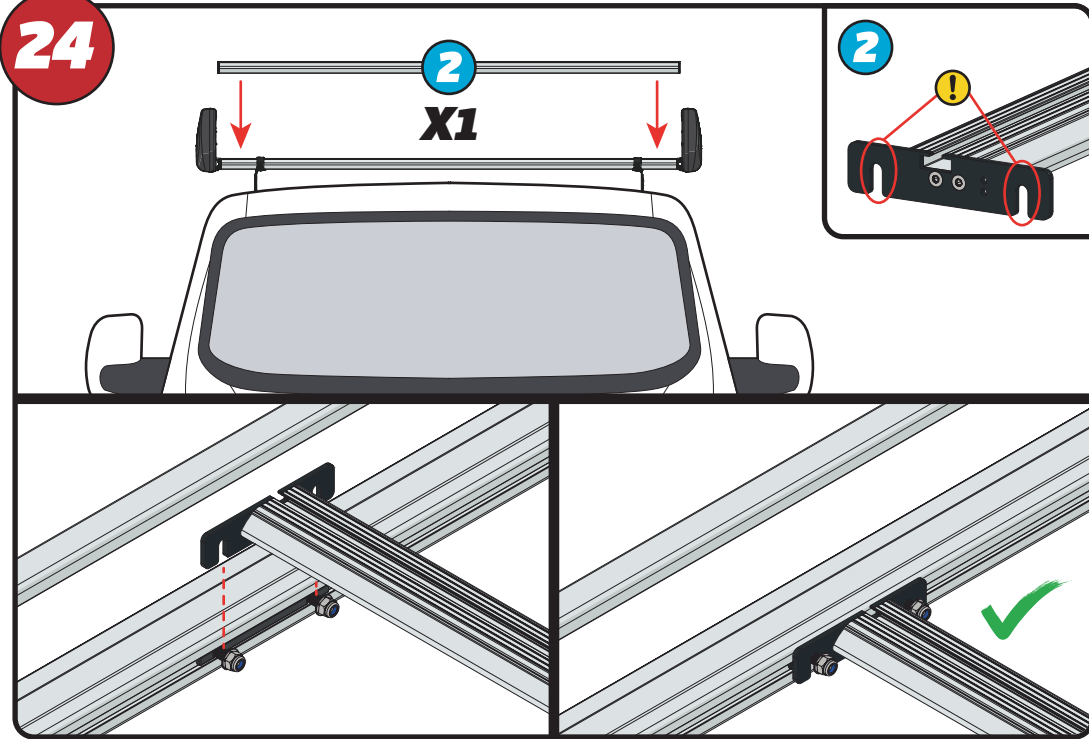
22



23

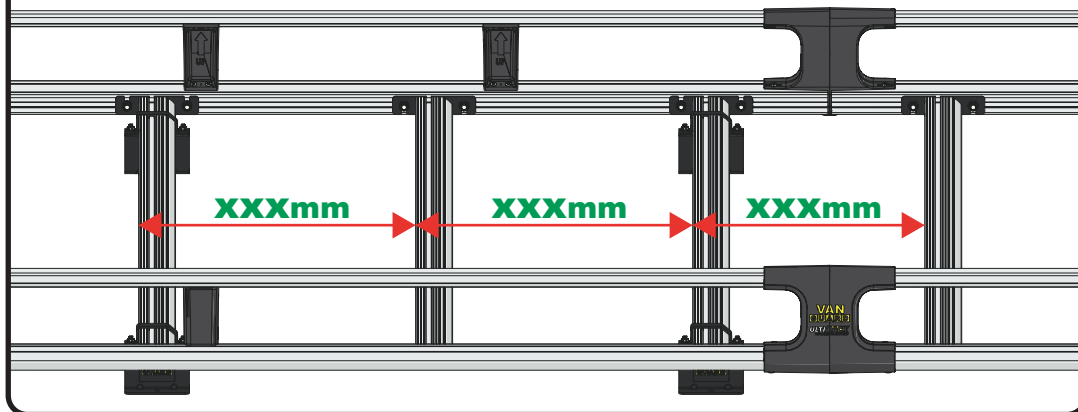
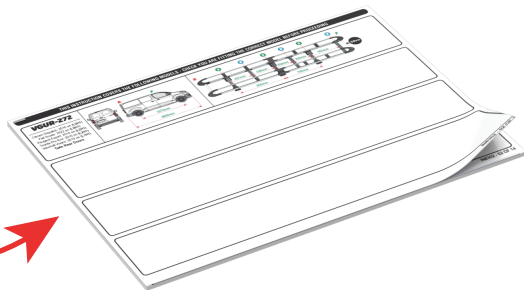
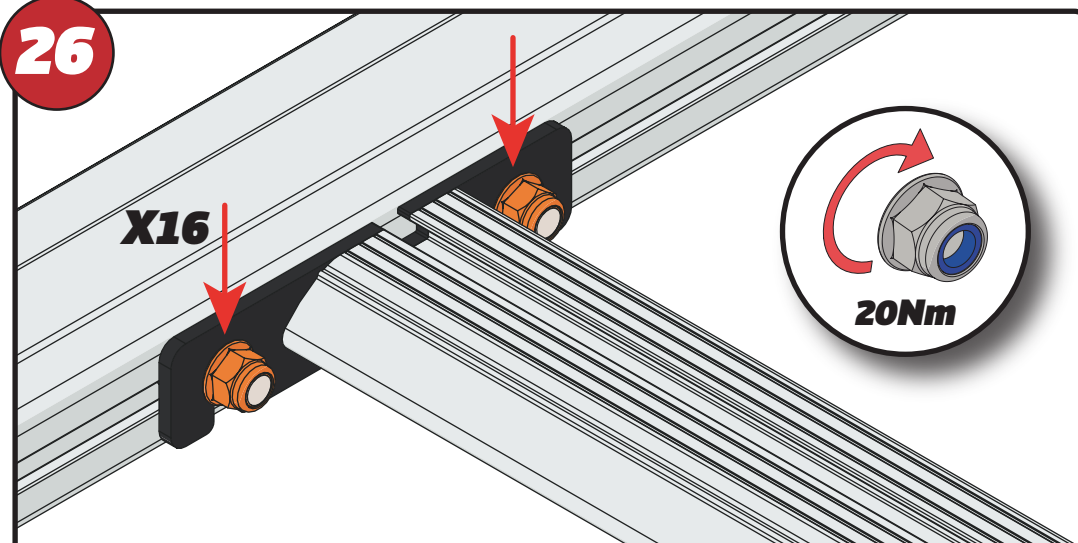


24



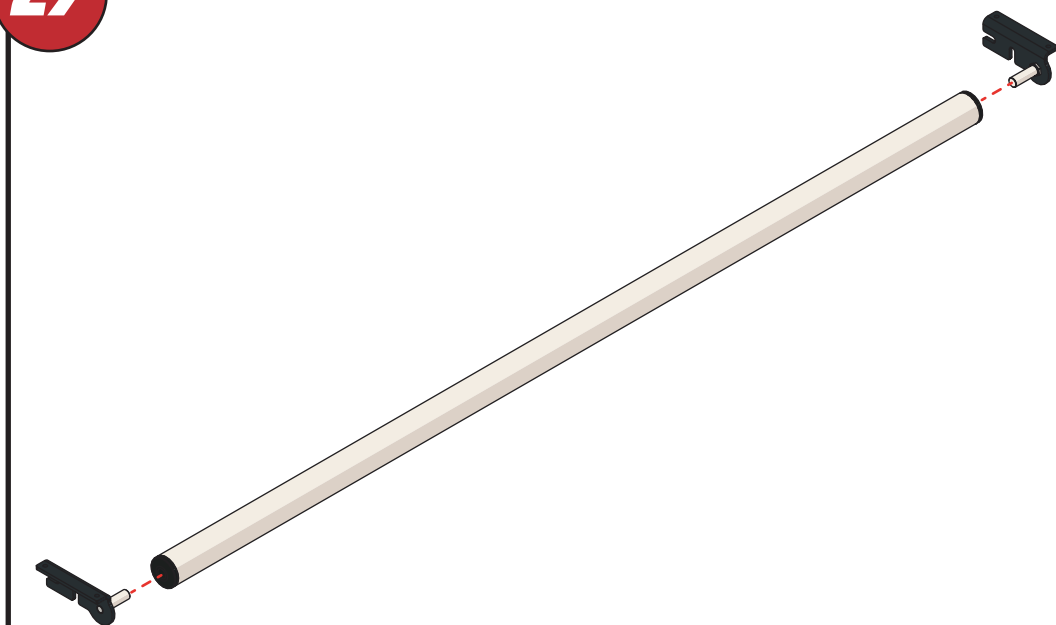
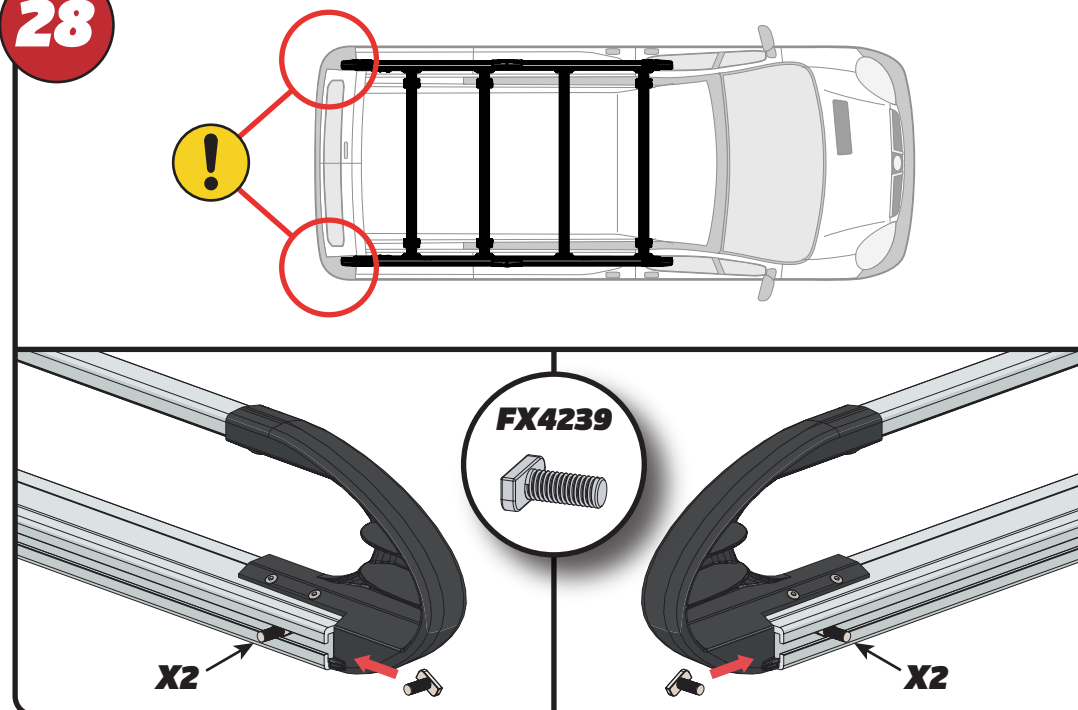
25

XXX =
PAGE 2 OF 14

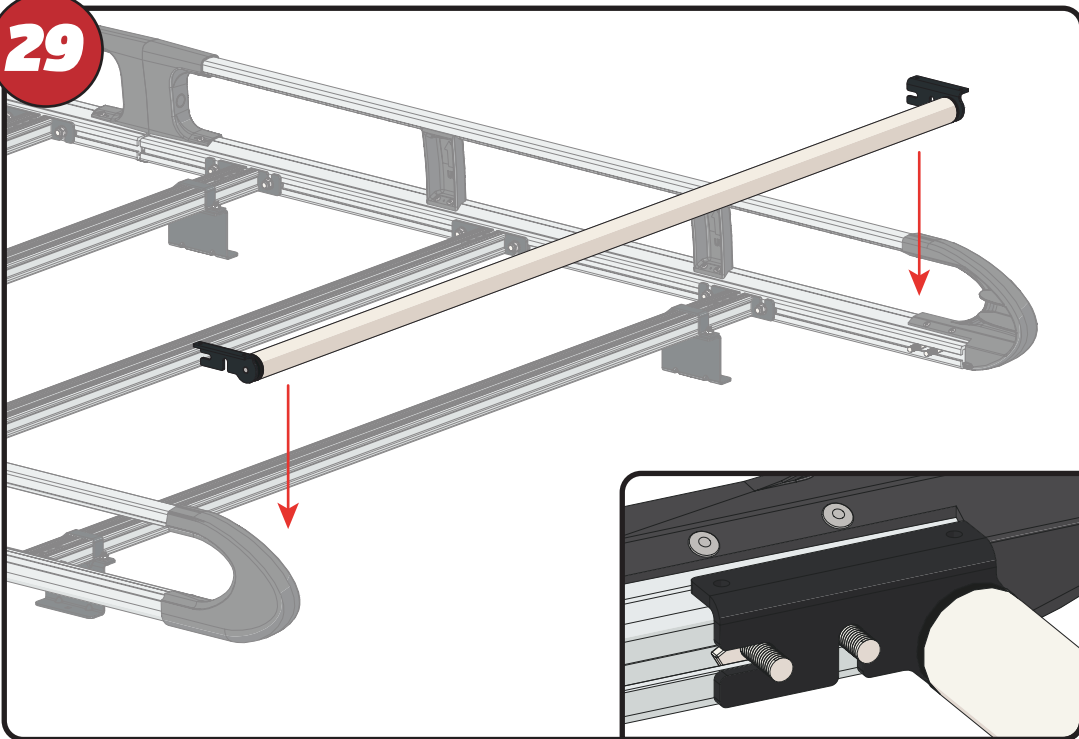
**26****X16****20Nm**

EN - TIGHTEN ALL OF THE CROSS BARS
 DE - ALLE QUERSTANGEN FESTZIEHEN
 FR - SERREZ TOUTES LES BARRES TRANSVERSALES
 NL - DRAAI ALLE DWARSBALK VAN HET DAK AAN
 ES - APRIETE TODAS LAS BARRAS TRANSVERSALES
 IT - STRINGERE TUTTE LE BARRE TRASVERSALI

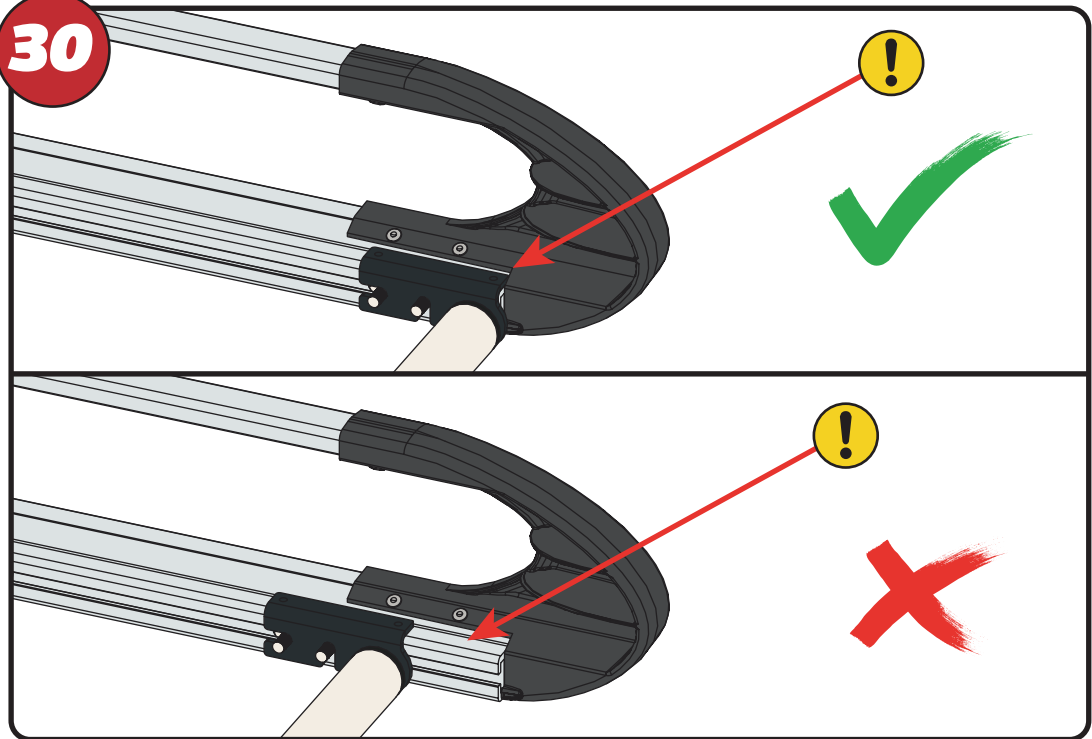
SV - SKRU UPP ALLA KORSSTANGAR
 DA - SKRU ALLE TAGBØJLER OP
 NO - SKRU OPP ALLE TVERRSTENGER
 PL - DOKRĘCIĆ WSZYSTKIE POPRZECZKI
 CS - VŠECHNY PŘÍČNÉ TYČE SEŠROUJTE

27**28****FX4239****X2****X2**

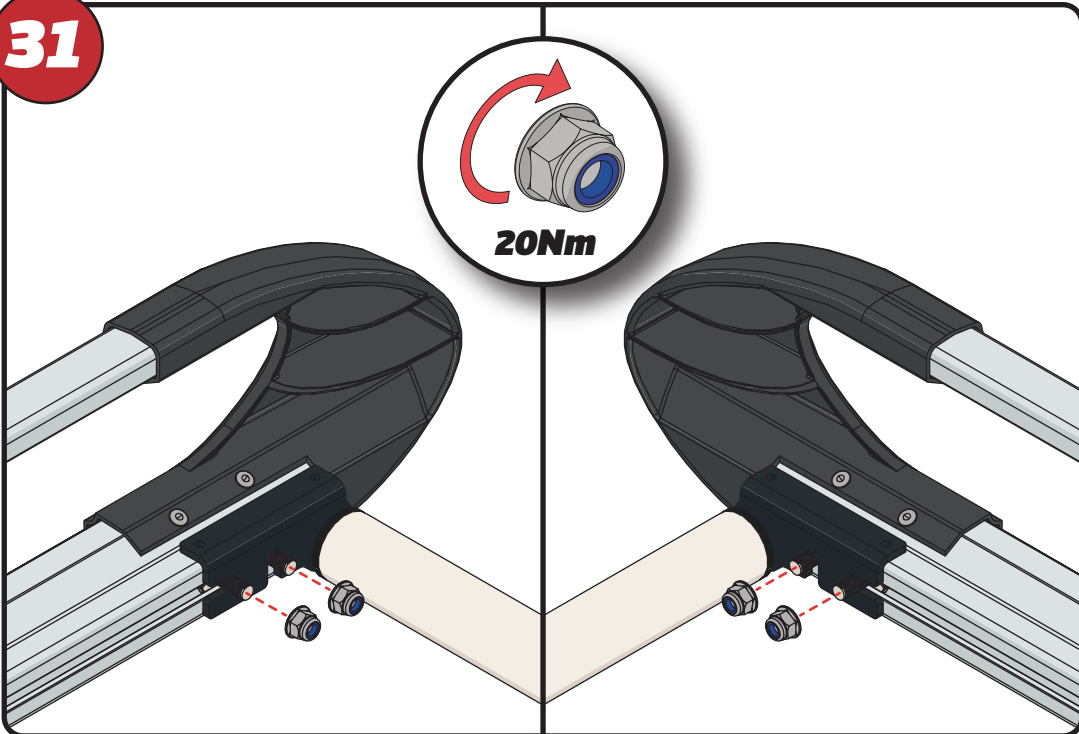
29



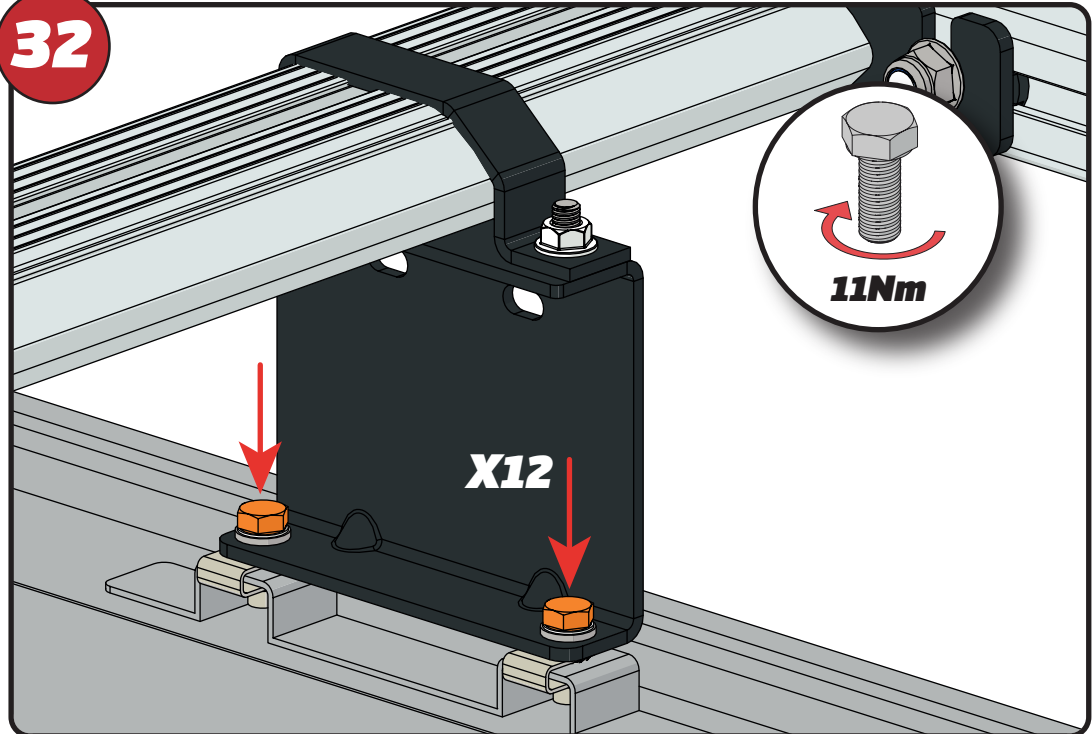
30



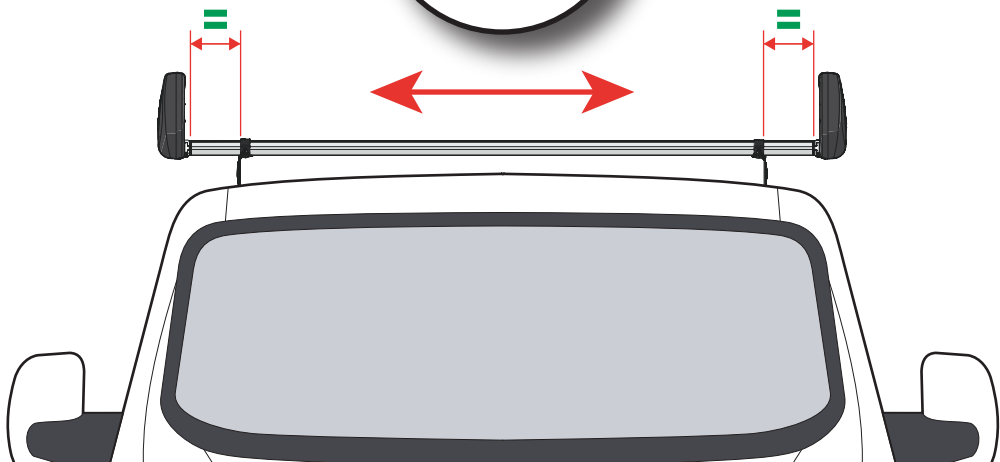
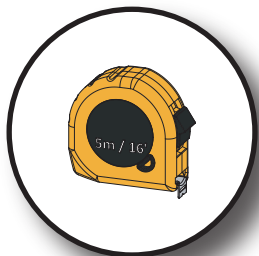
31



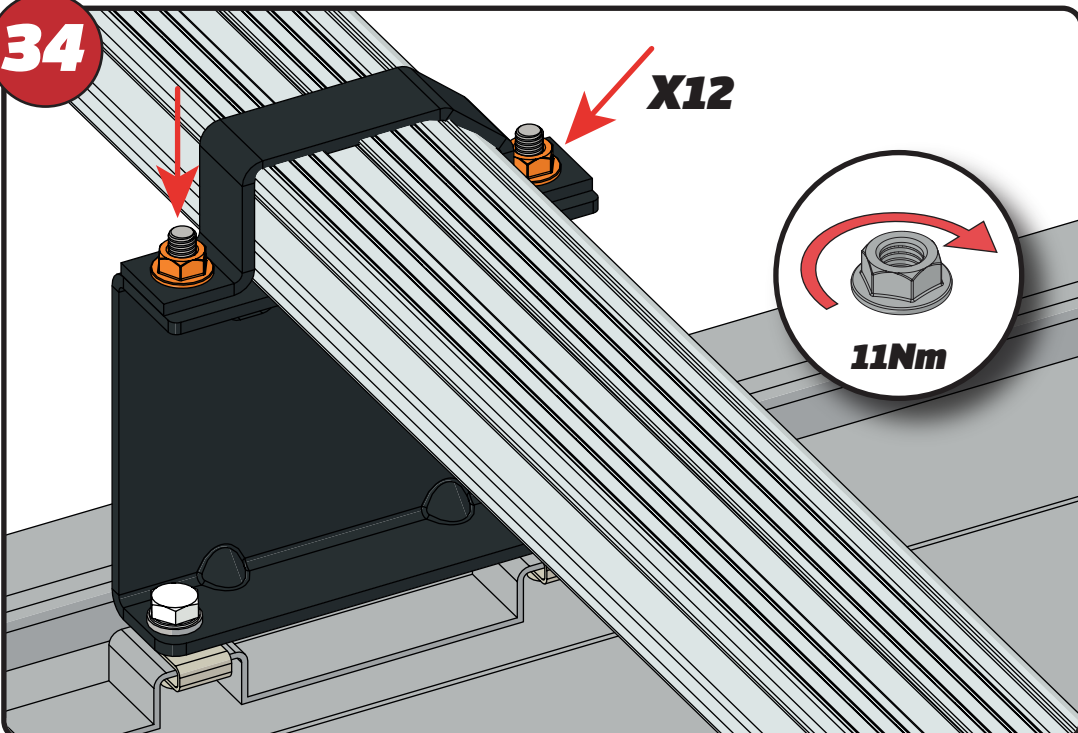
32



33



34



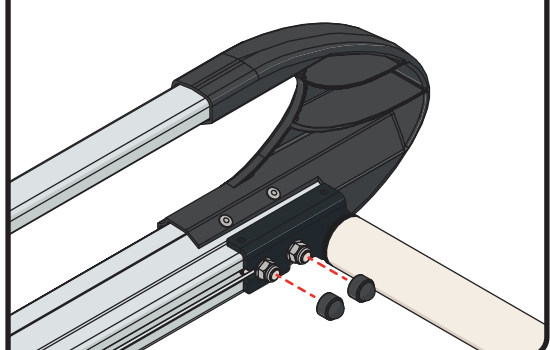
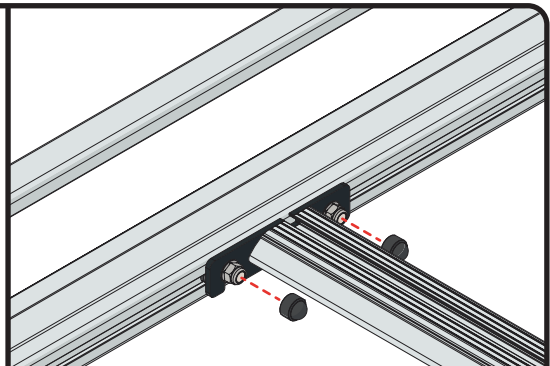
X12

11Nm

35



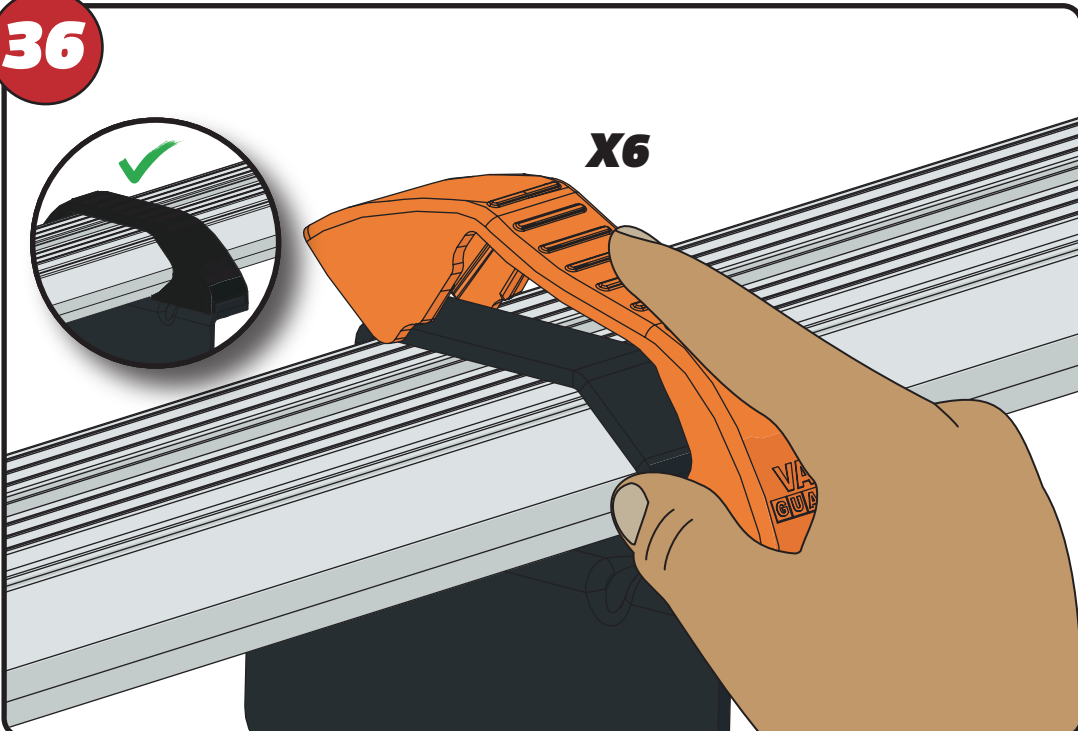
X20



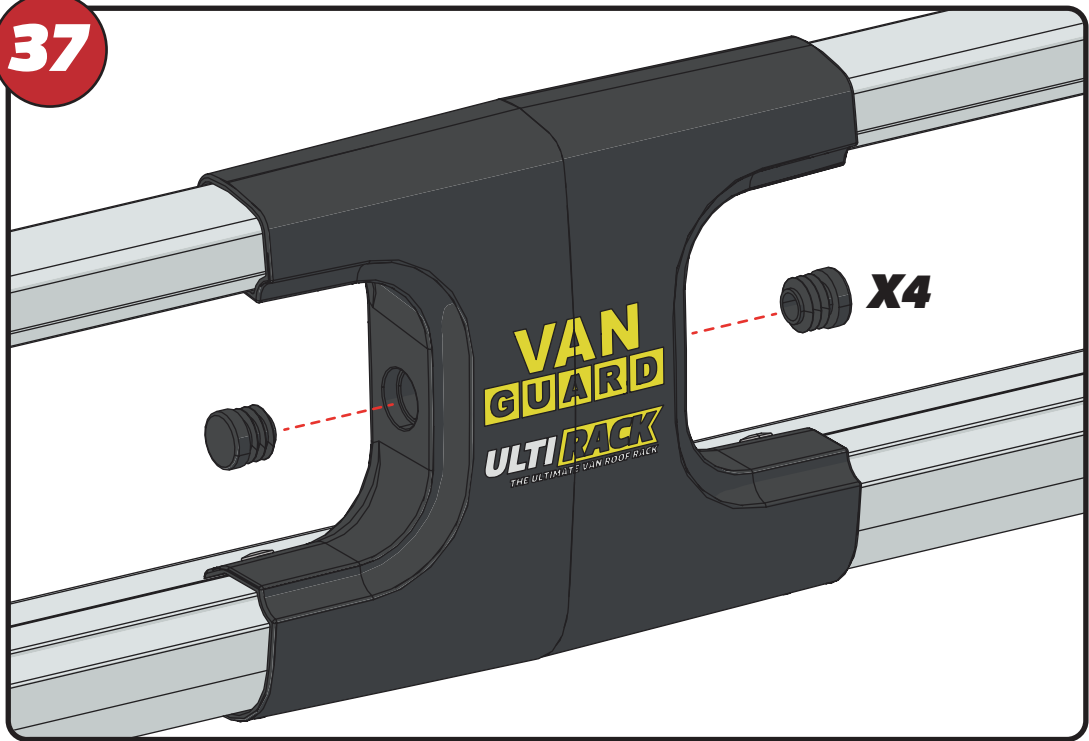
36



X6



37



38

